

TRI-COUNTY RURAL ELECTRIC COOPERATIVE, INC.

16 DAMASCUS STREET
 COUDERSPORT, PENNSYLVANIA 16915
 (814) 274 - 8740

P.O. BOX 134 33 AUSTIN STREET
 WELLSBORO, PENNSYLVANIA 16901
 (570) 724 - 6712

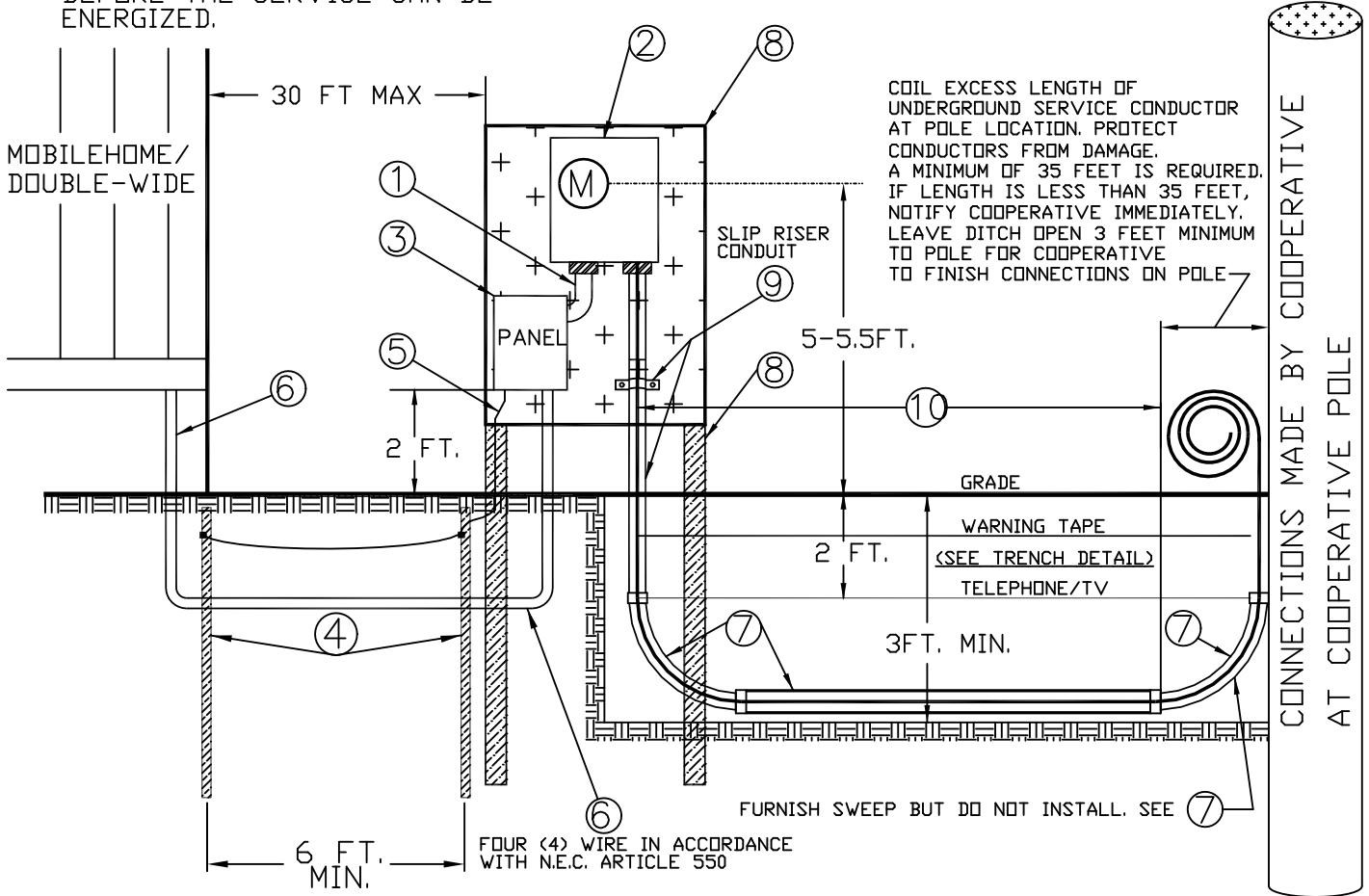
22 NORTH MAIN STREET
 MANSFIELD, PENNSYLVANIA 16915
 (570) 662 - 2175
 1 (800) 343 - 2559

INSTALLATION REQUIREMENTS FOR UNDERGROUND BOARD MOUNTED SERVICES FOR MOBILE HOMES AND DOUBLE-WIDE APPLICATIONS

IMPORTANT:

ALL INSTALLATIONS MUST BE INSPECTED AND APPROVED BY THE MUNICIPALITY APPROVED INSPECTION AGENCY (PER UCC CODE) BEFORE THE SERVICE CAN BE ENERGIZED.

ALL INSTALLATIONS TO BE IN ACCORDANCE WITH THE NATIONAL ELECTRICAL CODE



COIL EXCESS LENGTH OF UNDERGROUND SERVICE CONDUCTOR AT POLE LOCATION. PROTECT CONDUCTORS FROM DAMAGE. A MINIMUM OF 35 FEET IS REQUIRED. IF LENGTH IS LESS THAN 35 FEET, NOTIFY COOPERATIVE IMMEDIATELY. LEAVE DITCH OPEN 3 FEET MINIMUM TO POLE FOR COOPERATIVE TO FINISH CONNECTIONS ON POLE

CONNECTIONS MADE BY COOPERATIVE AT COOPERATIVE POLE

FURNISHED AND INSTALLED BY MEMBER

- ① MEMBER OWNED SERVICE ENTRANCE CABLE OR SERVICE ENTRANCE CONDUCTORS IN APPROVED CONDUIT.
 100 AMP - # 2 ALUMINIUM OR # 4 COPPER
 200 AMP - 4/0 ALUMINIUM OR 2/0 COPPER
 INHIBITOR COMPOUND USED ON ALL ALUMINIUM WIRE TERMINATIONS
- ② MEMBER OWNED 4 JAW UL APPROVED RINGLESS TYPE METERBASE WITH WEATHER TIGHT HUBS AND BY-PASS HORNS
 200 AMP MINIMUM, NO NOT USE BOTTOM CENTER KNOCKOUT.
- ③ MEMBER OWNED SERVICE EQUIPMENT - MINIMUM 100 AMP WITH 6 BREAKER SPACES MINIMUM.
- ④ TWO (2) 5/8 INCH X 8 FEET COPPERWELD OR GALVANIZED GROUND RODS SPACED A MINIMUM OF 6 FEET APART.
 GROUND WIRE # 6 BARE COPPER FOR 100 AMP INSTALLATION AND # 4 BARE COPPER FOR A 200 AMP INSTALLATION.
- ⑤ WHERE AVAILABLE, SERVICE SHOULD ALSO BE GROUNDED TO WELL CASING OR UNDERGROUND METALLIC WATER PIPING SYSTEM.
 GAS OR FUEL OIL PIPING SHALL NOT BE USED AS A GROUNDING ELECTRODE. BONDING: SEE N.E.C. ARTICLE 250
- ⑥ MEMBER SUPPLIED/INSTALLED CONDUIT WITH 4 WIRE CABLE AT MINIMUM DEPTH OF 2 FEET PRIOR TO INSPECTION.
- ⑦ MEMBER SUPPLIED/INSTALLED 3 INCH SCHEDULE 40 PVC ELECTRICAL CONDUIT WITH (2) SCHEDULE 40 PVC 24 INCH MINIMUM RADIUS SWEEPS. DO NOT INSTALL SWEEP AT COOPERATIVE POLE, LEAVE AT POLE LOCATION FOR INSTALLATION BY COOPERATIVE.
- ⑧ BOARD IS 3/4 INCH EXTERIOR PLYWOOD OR EQUIVALENT IN STRENGTH PRESSURE TREATED LUMBER WITH MINIMUM 4 INCH X 4 INCH TREATED TIMBERS AT A DEPTH OF 48 INCHES (4 FT.)
- ⑨ 3 INCH STANDARD THREADED CONNECTOR ASSEMBLY, 3 INCH ELECTRICAL GRADE CONDUIT SCHEDULE 80 PVC AND 2 HOLE STRAPS, SUPPLIED AND INSTALLED BY MEMBER WITH A 3/8 TO 1/2 INCH WEEP HOLE DRILLED ABOVE GROUND LEVEL IS SUGGESTED. MEMBER SHALL PROVIDE AND INSTALL GROUND MOVEMENT PER NEC 300.5(C) TO PREVENT DAMAGE DUE TO SETTLEMENT OR FROST HEAVES USING A SLIP RISER CONDUIT TO ALLOW CABLE MOVEMENT.

FURNISHED BY COOPERATIVE / INSTALLED BY MEMBER

- ⑩ UNDERGROUND SERVICE CONDUCTORS SUPPLIED BY COOPERATIVE / INSTALLED BY MEMBER FROM METERBASE TO COOPERATIVE POLE LOCATION IN MEMBER SUPPLIED AND INSTALLED 3 INCH SCHEDULE 40 PVC CONDUIT.

TC-E14A
 01/2011