

TRI-COUNTY RURAL ELECTRIC COOPERATIVE, INC.

16 DAMASCUS STREET
COUDERSPORT, PENNSYLVANIA 16915
(814) 274 - 8740

P.O. BOX 134 33 AUSTIN STREET
WELLSBORO, PENNSYLVANIA 16901
(570) 724 - 6712

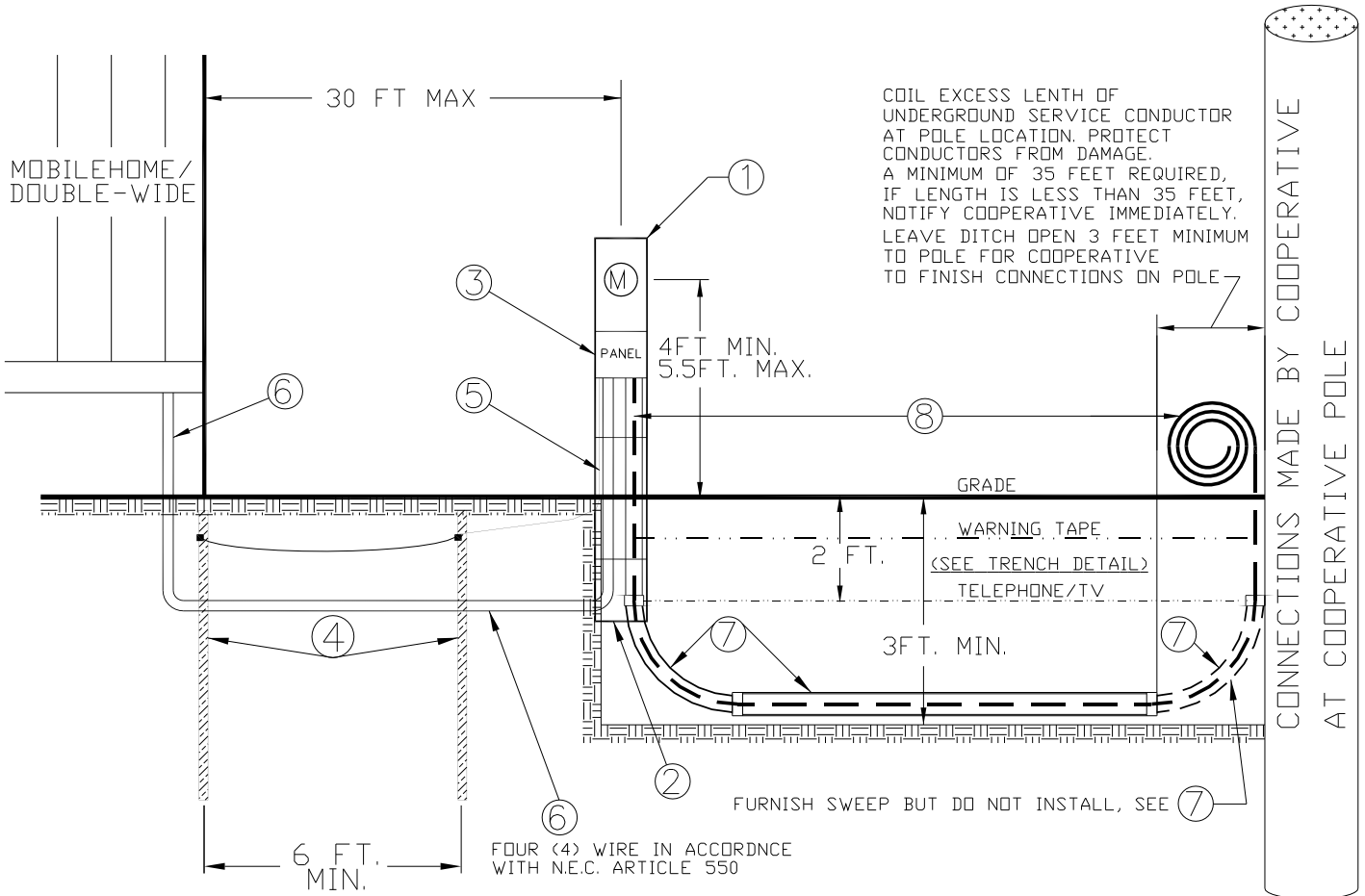
22 NORTH MAIN STREET
MANSFIELD, PENNSYLVANIA 16915
(570) 662 - 2175
1 (800) 343 - 2559

INSTALLATION REQUIREMENTS FOR UNDERGROUND PEDESTAL MOUNTED SERVICES FOR MOBILE HOMES AND DOUBLE-WIDE APPLICATIONS

IMPORTANT:

ALL INSTALLATIONS MUST BE INSPECTED AND APPROVED BY THE MUNICIPALITY APPROVED INSPECTION AGENCY (PER UCC CODE) BEFORE THE SERVICE CAN BE ENERGIZED.

ALL INSTALLATIONS TO BE IN ACCORDANCE WITH THE NATIONAL ELECTRICAL CODE



FURNISHED AND INSTALLED BY MEMBER

- ① 100 / 200 AMP METERED WITH MAIN AND BRANCH BREAKER PROVISIONS PEDISTAL UNITS AND MOUNTING KITS ACCEPTED WITH UL RATING. METER PEDISTAL FURNISHED, INSTALLED AND MAINTAINED BY MEMBER IN A TRUE VERTICAL POSITION. INHIBITOR COMPOUND USED ON ALL ALUMINUM WIRE TERMINATIONS
- ② PEDESTAL MOUNTING KITS: DIRECT BURIAL, STABILIZER FOOT, PAD MOUNT SLEEVE, OR STAKE PURCHASED FROM AN ELECTRICAL SUPPLY COMPANY. NOTE: DEPTH SHOULD BE 24 - 36 INCHES BELOW GRADE DEPENDING ON THE KIT.
- ③ MEMBER OWNED SERVICE EQUIPMENT - MINIMUM 100 AMP
- ④ TWO (2) 5/8 INCH X 8 FOOT. COPPERWELD OR GALVANIZED GROUND RODS SPACED A MINIMUM OF 6 FEET APART.
- ⑤ GROUND WIRE # 6 BARE COPPER FOR 100 AMP INSTALLATION AND # 4 BARE COPPER FOR A 200 AMP INSTALLATION. WHERE AVAILABLE, SERVICE SHOULD ALSO BE GROUNDED TO WELL CASING OR UNDERGROUND METALLIC WATER PIPING SYSTEM. GAS OR FUEL OIL PIPING SHALL NOT BE USED AS A GROUNDING ELECTRODE. BONDING: SEE N.E.C. ARTICLE 250
- ⑥ MEMBER SUPPLIED/INSTALLED CONDUIT WITH 4 WIRE CABLE AT MINIMUM DEPTH OF 2 FEET PRIOR TO INSPECTION.
- ⑦ MEMBER SUPPLIED/INSTALLED 3 INCH SCHEDULE 40 PVC ELECTRICAL CONDUIT WITH (2) SCHEDULE 40 PVC 24 INCH MINIMUM RADIUS SWEEPS. DO NOT INSTALL SWEEP AT COOPERATIVE POLE, LEAVE AT POLE FOR INSTALLATION BY COOPERATIVE.

FURNISHED BY COOPERATIVE / INSTALLED BY MEMBER

- ⑧ UNDERGROUND SERVICE CONDUCTORS SUPPLIED BY COOPERATIVE / INSTALLED BY MEMBER FROM METERBASE TO COOPERATIVE POLE LOCATION IN MEMBER SUPPLIED AND INSTALLED 3 INCH SCHEDULE 40 PVC CONDUIT.

TC-E14P
01/2006